



BARRIER GATE OPERATOR SYSTEMS



NICEBAR SYSTEM

96 S -BAR
98 M -BAR
102 L -BAR

OTHER BARRIERS

106 SIGNO
110 WIL

S/M/L BAR BARRIER GATE OPERATORS FOR ALL SIZES

HIGH PERFORMING, RELIABLE AND DURABLE.
ELEGANT, STREAMLINED DESIGN.
CAREFULLY SELECTED MATERIALS.
GREATER CONVENIENCE, SAFETY AT ALL TIMES.

Integrated solutions for all requirements.

New range of barrier gate operators to control road access to car parks, industrial, private and block of flats transit areas, including high traffic ones.

5 models in 3 standard versions, up to 7 modular bars from 3 to 9 m.

Easy transport and optimised management in the warehouse.

NICE KEY RELEASE

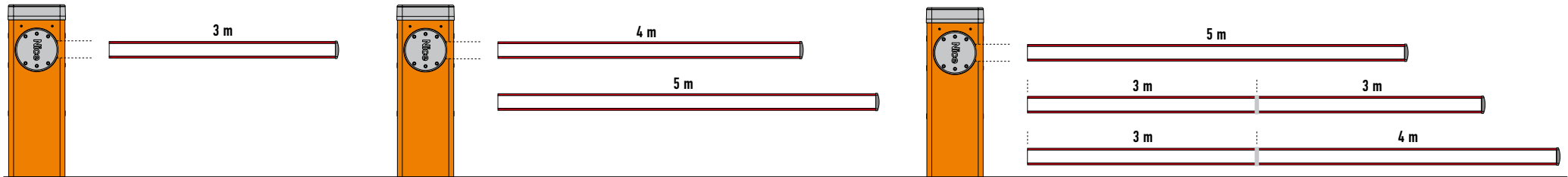
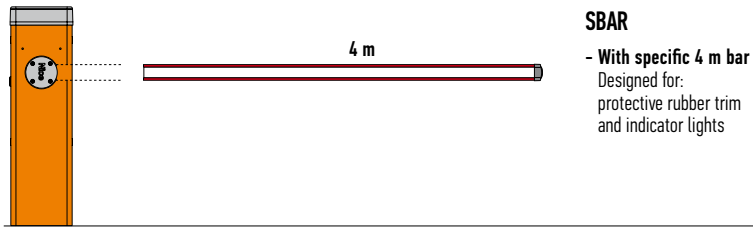
TAMPER-PROOF
FUNCTION: PROVISION FOR
INTEGRATED ASSEMBLY OF
PHOTOCELLS

PAINT-FINISHED ALUMINIUM
FOR BAR SUPPORT
AND COVER, WITH OPTIONAL
FLASHING LIGHT

STEEL CASE WITH PROTECTIVE
CATAPHORESIS TREATMENT
AND PAINT FINISH, OR WITH
STAINLESS STEEL CASE



SELECTION GUIDE, COMPOSITION OF BARS AND ACCESSORIES



M3BAR
 - With 3 m bar
 Designed for:
 protective rubber trim
 and indicator lights

M5BAR
 - With 4 m bar
 Designed for:
 protective rubber trim,
 indicator lights,
 rack, mobile stand

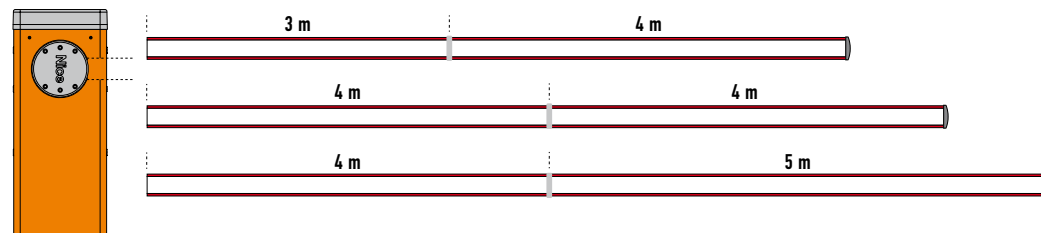
- With 5 m bar
 Designed for:
 protective rubber trim
 and indicator lights

M7BAR
 - With 5 m bar
 Designed for:
 protective rubber trim,
 indicator lights, rack,
 mobile stand

- With bar up to 6 m (3+3 m)*
 Designed for:
 protective rubber trim,
 indicator lights, rack,
 mobile stand

- With bar up to 7 m (3+4 m)*
 Designed for:
 protective rubber trim
 and indicator lights

*Use XBA9 joint to assemble bars



LBAR
 - With bar of 7 m (3+4 m)*
 Designed for:
 protective rubber trim,
 indicator lights, rack,
 mobile stand

- With bar of 8 m (4+4 m)*
 Designed for:
 protective rubber trim,
 indicator lights, rack,
 mobile stand

- With bar of 9 m (4+5 m)*
 Designed for:
 protective rubber trim
 and indicator lights

*Use XBA9 joint to assemble bars

S-BAR

SOLEMYO OPERA BLUEBUS 24V

Electromechanical road barrier system for control of road access.

24 Vdc gear motor with built-in control unit.

For bar up to 4 m.

Strength and reliability: robust structure in steel, new high strength balancing springs guaranteed up to 500,000 opening and closing operations and elliptical section bar with high wind-gust resistance.

Optional flashing or traffic light can be integrated in cover.

More comfort and safety in programming and maintenance

phases: the separate enclosures for electronics and mechanics protect internal parts from potential risks.

Rapid and easy access to the control unit located in the upper section of the barrier body.

Simple fixture of the completely concealed photocells onto the specially designed seats on the barrier body.

More safety and reliability: obstacle detection and monitoring of motor absorption during automation movement.

Automatic fault diagnostics during operation with consequent signalling of fault type through specific flash sequences.

Provision for connection of latest generation optical and resistive sensitive edges (with 8.2 KOhm resistance).

Energy saving: the system sets to standby when not in use to save consumption.

No blackouts: emergency backup power with the optional batteries housed inside the case.

Release from side with Nice triangular key, can be installed on either side.



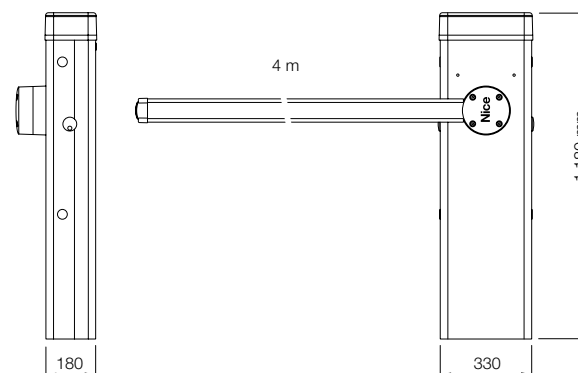
WITH BAR UP TO 4 m, IRREVERSIBLE 230 Vac, 24 Vdc MOTOR, WITH FOUNDATION PLATE:

CODE	DESCRIPTION
SBAR	WITH STEEL CASE WITH PROTECTIVE CATAPHORESIS TREATMENT AND PAINT FINISH
SBARI	WITH STAINLESS STEEL CASE

TECHNICAL SPECIFICATIONS

CODE	SBAR	SBARI
ELECTRICAL DATA		
POWER SUPPLY (Vac 50/60 Hz)	230	
POWER SUPPLY (Vdc)	24	
ABSORPTION (A)	1	
POWER (W)	300	
PERFORMANCE DATA		
SPEED (S)	<4	
TORQUE (Nm)	100	
WORK CYCLE (CYCLES/HOUR)	100	
DIMENSIONAL AND GENERAL DATA		
PROTECTION LEVEL (IP)	44	
WORKING TEMP. (°C MIN/MAX)	-20 ÷ +50	
DIMENSIONS (mm)	330x180x1180 h	
WEIGHT (kg)	46	

DIMENSIONS



ACCESSORIES

KIT SOLEMYO



XBA20
SPARE CONTROL UNIT
FOR SBAR.
PC/PACK 1



PS124
24 V BATTERY
WITH INTEGRATED
BATTERY CHARGER.
PC/PACK 1



XBA19
WHITE PAINT-FINISHED
ALUMINIUM BAR
45x58x4000 mm.
PC/PACK 1



XBA13
RUBBER IMPACT PROTECTION
STRIP. LENGTH 1 m.
PC/PACK 9



WA10
RED ADHESIVE
REFLECTOR STRIPS.
PC/PACK 24



SIA1
ANCHORAGE BASE
WITH CLAMPS.
PC/PACK 1



XBA7
INTEGRABLE FLASHING LIGHT.
PC/PACK 1



● THE SOLAR POWER
KIT SOLEMYO TO AUTOMATE
GATES, GARAGE DOORS
OR BARRIER GATES,
INCLUDING THOSE LOCATED
FAR FROM THE POWER MAINS
AND WITHOUT THE NEED
FOR COSTLY AND INVASIVE
EXCAVATION WORK.
SEE PAGE 171

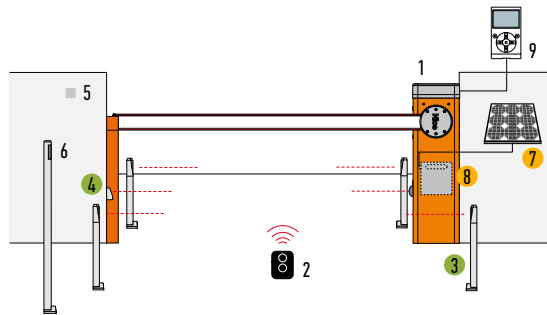


XBA4
INDICATOR LIGHTS FOR CLICK
FIXTURE ON UPPER OR LOWER
SIDE OF BAR. LENGTH 4 m.
PC/PACK 1



WA11
ADJUSTABLE STAND
FOR BARS.
PC/PACK 1

INSTALLATION DIAGRAM



1. BARRIER
2. TRANSMITTER
3. PHOTOCELLS MOUNTED ON POSTS
4. PHOTOCELLS
5. DIGITAL OR KEY SWITCHES
6. KEY-OPERATED SELECTOR OR DIGITAL ON POST
7. SYP SOLAR PANEL
8. PSY24 BATTERY BOX
9. 0-VIEW MULTIFUNCTION DISPLAY

- ACCESSORIES ALSO AVAILABLE FOR THE Solemyo Air Net System WIRELESS VERSION
- Solemyo SOLAR POWER ACCESSORIES

Nice recommends customers order products in pallets in order to facilitate storage and delivery, and ensure packs are uniform. The number of packs per single pallet has been specified for this reason. Approximate draft.

M-BAR

SOLEMYO OPERA BLUEBUS 24V

Electromechanical road barrier system for control of road access.

24 Vdc gear motor with built-in control unit and loop detector.

For bars up from 3 to 7 m.

Modular: bars are easily assembled using the aluminium expansion joint.

Possibility for intelligent control of two opposing automations thanks to "master/slave" function.

Strength and reliability: robust structure in steel, new high strength balancing springs guaranteed up to 1,000,000 opening and closing operations and elliptical section bar with high wind-gust resistance.

Optional flashing or traffic light can be integrated in cover.

Encoder movement control and electromechanical limit switches.

More comfort and safety in programming and maintenance phases: the separate enclosures for electronics and mechanics protect internal parts from potential risks.

Rapid and easy access to the control unit located in the upper section of the barrier body.

Simple fixture of the completely concealed photocells onto the specially designed seats on the barrier body.

More safety and reliability: obstacle detection and monitoring of motor absorption during automation movement.

Automatic fault diagnostics during operation with consequent signalling of fault type through specific flash sequences.

Provision for connection of latest generation optical and resistive sensitive edges (with 8.2 KOhm resistance).

Energy saving: the system sets to standby when not in use to save consumption.

No blackouts: emergency backup power with the optional batteries housed inside the case.

Release from side with metal key, can be installed on either side.



WITH BAR UP TO 3 m, IRREVERSIBLE 230 Vac, 24 Vdc MOTOR, WITH FOUNDATION PLATE:

CODE	DESCRIPTION
M3BAR	WITH STEEL CASE WITH PROTECTIVE CATAPHORESIS TREATMENT AND PAINT FINISH
M3BARI	WITH STAINLESS STEEL CASE

WITH BAR UP TO 4 OR 5 m, IRREVERSIBLE 230 Vac, 24 Vdc MOTOR, WITH FOUNDATION PLATE:

CODE	DESCRIPTION
M5BAR	WITH STEEL CASE WITH PROTECTIVE CATAPHORESIS TREATMENT AND PAINT FINISH
M5BARI	WITH STAINLESS STEEL CASE

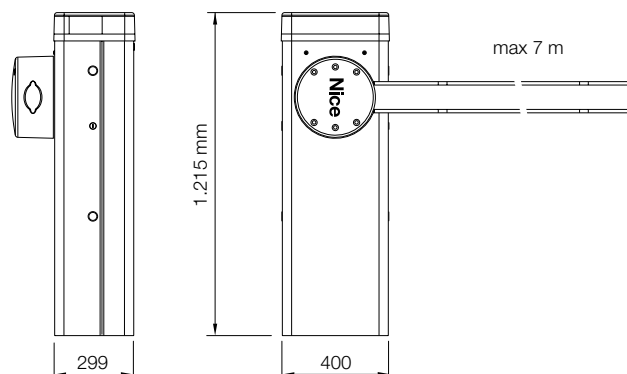
WITH BAR UP TO 5, 6 OR 7 m, IRREVERSIBLE 230 Vac, 24 Vdc MOTOR, WITH FOUNDATION PLATE:

CODE	DESCRIPTION
M7BAR	WITH STEEL CASE WITH PROTECTIVE CATAPHORESIS TREATMENT AND PAINT FINISH
M7BARI	WITH STAINLESS STEEL CASE

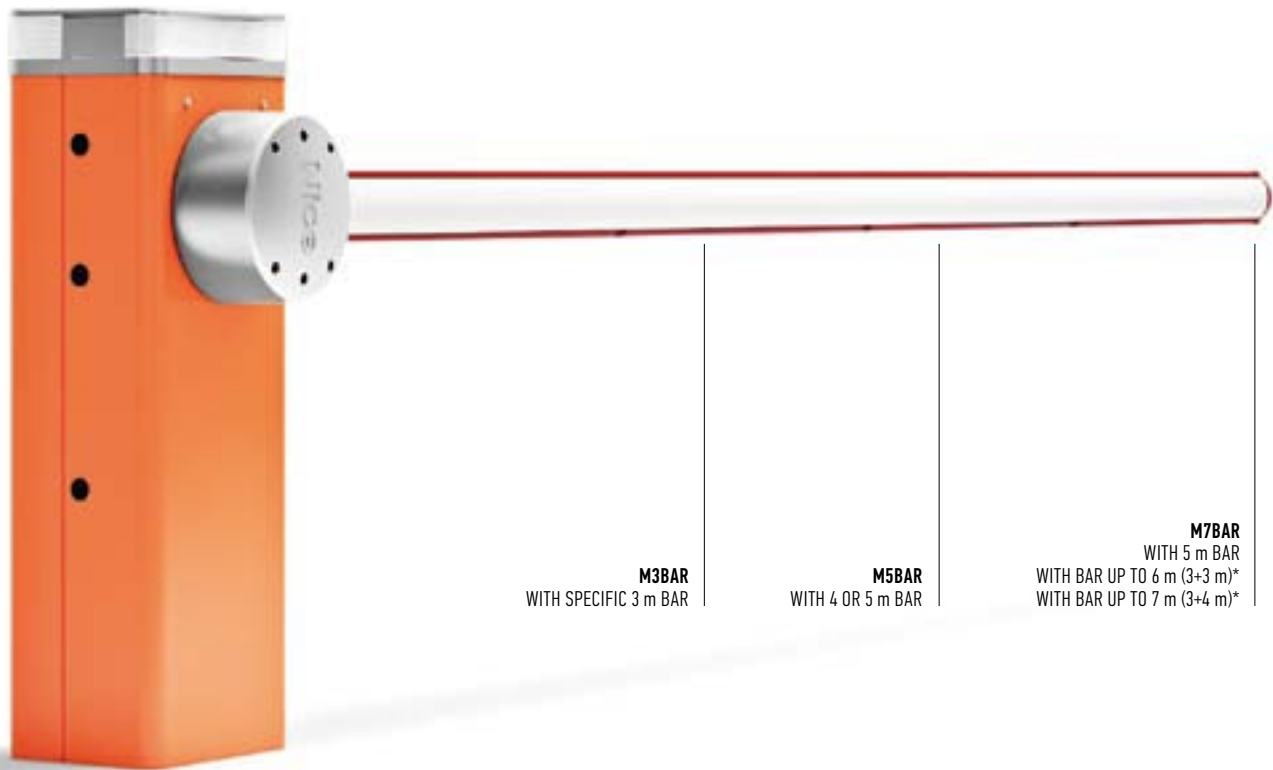
TECHNICAL SPECIFICATIONS

CODE	M3BAR	M3BARI	M5BAR	M5BARI	M7BAR	M7BARI
ELECTRICAL DATA						
POWER SUPPLY (Vac 50/60 Hz)				230		
POWER SUPPLY (Vdc)				24		
ABSORPTION (A)	1,3		1,1		1,1	
POWER (W)	150		110		110	
PERFORMANCE DATA						
SPEED MIN.=MAX. (S)	1,5 ÷ 4		3 ÷ 6		6 ÷ 10	
TORQUE (Nm)	100		200		300	
WORK CYCLE (CYCLES/HOUR)	500		350		200	
DIMENSIONAL AND GENERAL DATA						
PROTECTION LEVEL (IP)				44		
WORKING TEMP. (°C MIN/MAX)				-20 ÷ +50		
DIMENSIONS (mm)				400x299x1215 h		
WEIGHT (kg)				80		85

DIMENSIONS



Nice recommends customers order products in pallets in order to facilitate storage and delivery, and ensure packs are uniform. The number of packs per single pallet has been specified for this reason. Approximate draft.



M3BAR
WITH SPECIFIC 3 m BAR

M5BAR
WITH 4 OR 5 m BAR

M7BAR
WITH 5 m BAR
WITH BAR UP TO 6 m (3+3 m)*
WITH BAR UP TO 7 m (3+4 m)*

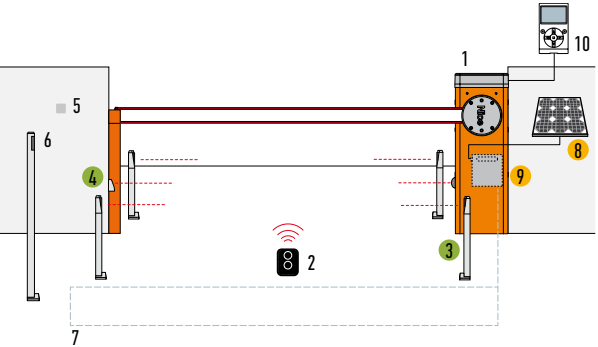
*USE XBA9 JOINT TO ASSEMBLE BARS

KIT SOLEMYO



● THE SOLAR POWER KIT SOLEMYO TO AUTOMATE GATES, GARAGE DOORS OR BARRIER GATES, INCLUDING THOSE LOCATED FAR FROM THE POWER MAINS AND WITHOUT THE NEED FOR COSTLY AND INVASIVE EXCAVATION WORK. SEE PAGE 171

INSTALLATION DIAGRAM



- 1. BARRIER
- 2. TRANSMITTER
- 3. PHOTOCELLS MOUNTED ON POSTS
- 4. PHOTOCELLS
- 5. DIGITAL OR KEY SWITCHES
- 6. KEY-OPERATED SELECTOR OR DIGITAL ON POST
- 7. LOOP DETECTOR
- 8. SYP SOLAR PANEL
- 9. PSY24 BATTERY BOX
- 10. 0-VIEW MULTIFUNCTION DISPLAY

● ACCESSORIES ALSO AVAILABLE FOR THE Solemyo Air Net System WIRELESS VERSION
● Solemyo SOLAR POWER ACCESSORIES

ACCESSORIES M-BAR

ACCESSORIES FOR M3BAR, M5BAR, M7BAR



XBA3
SPARE CONTROL UNIT.
PC/PACK 1



PS224
24 Vdc BUFFER BATTERY.
PC/PACK 1



XBA13
RUBBER IMPACT PROTECTION
STRIP. LENGTH 1 m.
PC/PACK 9



WA10
RED ADHESIVE
REFLECTOR STRIPS.
PC/PACK 24



XBA8
INTEGRABLE TRAFFIC LIGHT.
PC/PACK 1



XBA7
INTEGRABLE FLASHING LIGHT.
PC/PACK 1



XBA16
ANCHORAGE BASE WITH
CLAMPS, FOR M-BAR.
PC/PACK 1



WA11
ADJUSTABLE STAND
FOR BARS.
PC/PACK 1

ACCESSORIES FOR M3BAR



XBA15
WHITE PAINT-FINISHED
ALUMINIUM BAR
69x92x3150 mm.
PC/PACK 1



XBA4
INDICATOR LIGHTS FOR CLICK
FIXTURE ON UPPER OR LOWER
SIDE OF BAR. LENGTH 4 m.
PC/PACK 1



XBA10
PIVOTING CONNECTION
FOR BARS UP TO 4 m.
PC/PACK 1



XBA11
JOINT FOR BARS XBA15
(FROM 1950 mm
TO 2400 mm).
PC/PACK 1

ACCESSORIES FOR M5BAR



XBA14
WHITE PAINT-FINISHED
ALUMINIUM BAR
69x92x4150 mm
PC/PACK 1



XBA5
WHITE PAINT-FINISHED
ALUMINIUM BAR
69x92x5150 mm.
PC/PACK 1



XBA4
INDICATOR LIGHTS FOR CLICK
FIXTURE ON UPPER OR LOWER
SIDE OF BAR. LENGTH 4 m.
PC/PACK 1



XBA6
INDICATOR LIGHTS FOR CLICK
FIXTURE ON UPPER OR LOWER
SIDE OF BAR. LENGTH 6 m.
PC/PACK 1



XBA10
PIVOTING CONNECTION
FOR BARS UP TO 4 m.
PC/PACK 1



XBA11
JOINT FOR BARS XBA15 AND
XBA14 (FROM 1950 mm
TO 2400 mm).
PC/PACK 1



WA12
MOBILE STAND FOR BARS
- *NEW FULLY REINFORCED
VERSION.*
PC/PACK 1



WA13
ALUMINIUM RACK UP TO 2 m.
PC/PACK 1

ACCESSORIES FOR M7BAR



XBA15
WHITE PAINT-FINISHED
ALUMINIUM BAR
69x92x3150 mm.
PC/PACK 1



XBA14
WHITE PAINT-FINISHED
ALUMINIUM BAR
69x92x4150 mm
PC/PACK 1



XBA5
WHITE PAINT-FINISHED
ALUMINIUM BAR
69x92x5150 mm.
PC/PACK 1



XBA9
EXPANSION JOINT.
PC/PACK 1



XBA6
INDICATOR LIGHTS FOR CLICK
FIXTURE ON UPPER OR LOWER
SIDE OF BAR. LENGTH 6 m.
PC/PACK 1



XBA18
INDICATOR LIGHTS FOR CLICK
FIXTURE ON UPPER OR LOWER
SIDE OF BAR. LENGTH 8 m.
PC/PACK 1



WA12
MOBILE STAND FOR BARS
- *NEW FULLY REINFORCED
VERSION.*
PC/PACK 1



WA13
ALUMINIUM RACK UP TO 2 m.
PC/PACK 1

L-BAR

SOLEMYO OPERA BLUEBUS 24V

Electromechanical road barrier system for control of road access.

24 Vdc gear motor with built-in control unit and loop detector.

Powerful and fast, for bars from 7 to 9 m.

Modular: bars are easily assembled using the aluminium expansion joint.

Possibility for intelligent control of two opposing automations thanks to **“master/slave” function**.

Strength and reliability: robust structure in steel, new high strength balancing springs guaranteed up to 1,000,000 opening and closing operations and elliptical section bar with high wind-gust resistance.

Optional flashing or traffic light can be integrated in cover.

Encoder movement control and electromechanical limit switches.

More comfort and safety in programming and maintenance phases: the separate enclosures for electronics and mechanics protect internal parts from potential risks.

Rapid and easy access to the control unit located in the upper section of the barrier body.

Simple fixture of the completely concealed photocells onto the specially designed seats on the barrier body.

More safety and reliability: obstacle detection and monitoring of motor absorption during automation movement.

Automatic fault diagnostics during operation with consequent signalling of fault type through specific flash sequences.

Provision for connection of latest generation optical and resistive sensitive edges (with 8.2 KOhm resistance).

Energy saving: the system sets to standby when not in use to save consumption.

No blackouts: emergency backup power with the optional batteries housed inside the case.

Release from side with metal key, can be installed on either side.



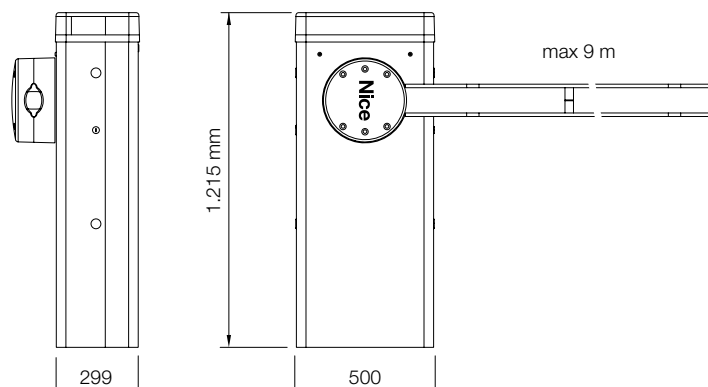
FOR BARS UP TO 9 m, IRREVERSIBLE 230 Vac, 24 Vdc MOTOR, WITH FOUNDATION PLATE:

CODE	DESCRIPTION
LBAR	WITH STEEL CASE WITH PROTECTIVE CATAPHORESIS TREATMENT AND PAINT FINISH
LBARI	WITH STAINLESS STEEL CASE

TECHNICAL SPECIFICATIONS

CODE	LBAR	LBARI
ELECTRICAL DATA		
POWER SUPPLY (Vac 50/60 Hz)		230
ABSORPTION (A)		1.3
POWER (W)		160
PERFORMANCE DATA		
SPEED MIN.=MAX. (S)		8 ÷ 12
TORQUE (Nm)		400
WORK CYCLE (CYCLES/HOUR)		150
DIMENSIONAL AND GENERAL DATA		
PROTECTION LEVEL (IP)		44
WORKING TEMP. (°C MIN/MAX)		-20 ÷ +50
DIMENSIONS (mm)		500x299x1215 h
WEIGHT (kg)		98

DIMENSIONS



ACCESSORIES

KIT SOLEMYO



XBA3
SPARE CONTROL UNIT.
PC/PACK 1



PS224
24 Vdc BUFFER BATTER.
PC/PACK 1



XBA15
WHITE PAINT-FINISHED
ALUMINIUM BAR
69x92x3150 mm.
PC/PACK 1



XBA14
WHITE PAINT-FINISHED
ALUMINIUM BAR
69x92x4150 mm.
PC/PACK 1



XBA5
WHITE PAINT-FINISHED
ALUMINIUM BAR
69x92x5150 mm.
PC/PACK 1



XBA9
EXPANSION JOINT.
PC/PACK 1



XBA13
RUBBER IMPACT PROTECTION
STRIP. LENGTH 1 m.
PC/PACK 9



WA10
RED ADHESIVE
REFLECTOR STRIPS.
PC/PACK 24



● THE SOLAR POWER
KIT SOLEMYO TO AUTOMATE
GATES, GARAGE DOORS
OR BARRIER GATES,
INCLUDING THOSE LOCATED
FAR FROM THE POWER MAINS
AND WITHOUT THE NEED
FOR COSTLY AND INVASIVE
EXCAVATION WORK.
SEE PAGE 171



XBA18
INDICATOR LIGHTS FOR CLICK
FIXTURE ON UPPER OR LOWER
SIDE OF BAR. LENGTH 8 m.
PC/PACK 1



XBA8
INTEGRABLE TRAFFIC LIGHT.
PC/PACK 1



XBA7
INTEGRABLE FLASHING LIGHT.
PC/PACK 1



WA13
ALUMINIUM RACK UP TO 2 m.
PC/PACK 1



XBA17
ANCHORAGE BASE WITH
CLAMPS, FOR LBAR.
PC/PACK 1

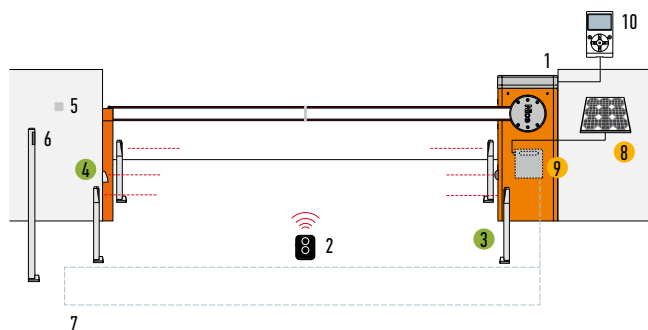


WA12
MOBILE STAND FOR BARS
- NEW FULLY REINFORCED
VERSION.
PC/PACK 1



WA11
ADJUSTABLE STAND
FOR BARS.
PC/PACK 1

INSTALLATION DIAGRAM



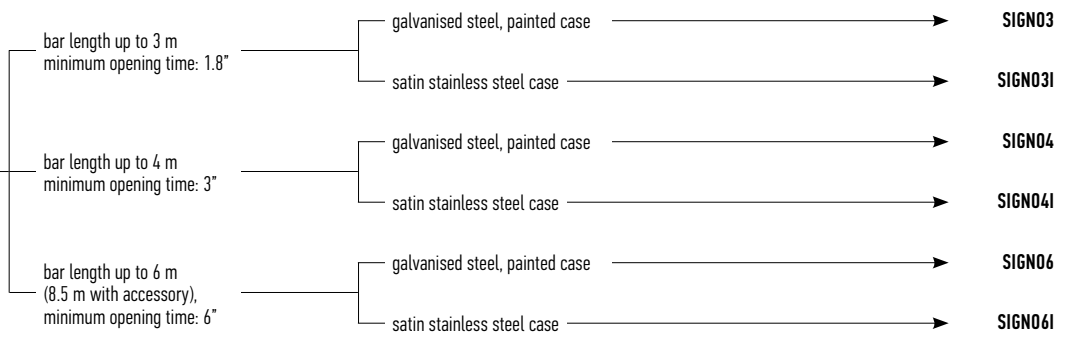
1. BARRIER
2. TRANSMITTER
3. PHOTOCELLS MOUNTED ON POSTS
4. PHOTOCELLS
5. DIGITAL OR KEY SWITCHES
6. KEY-OPERATED SELECTOR OR DIGITAL ON POST
7. LOOP DETECTOR
8. SYP SOLAR PANEL
9. PSY24 BATTERY BOX
10. O-VIEW MULTIFUNCTION DISPLAY

- ACCESSORIES ALSO AVAILABLE FOR THE Solemyo Air Net System WIRELESS VERSION
- Solemyo SOLAR POWER ACCESSORIES

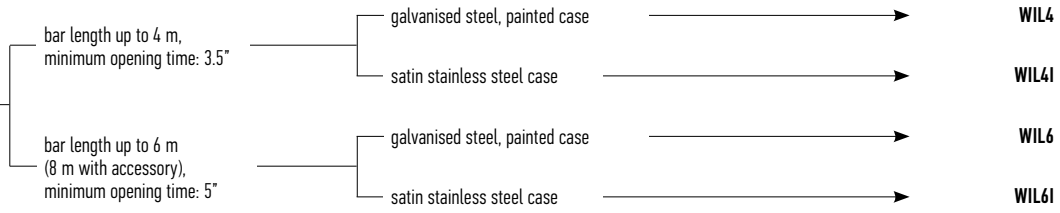
Nice recommends customers order products in pallets in order to facilitate storage and delivery, and ensure packs are uniform. The number of packs per single pallet has been specified for this reason. Approximate draft.

SELECTION GUIDE

Irreversible,
with built-in control unit
and magnetic encoder.
SIGNO
pages 106/109



Irreversible,
with built-in control unit.
WIL
pages 110/113



SIGNO

24V

For private, public and industrial car parks.
Electromechanical barrier gate operator with encoder.

Powerful and quick: electromechanical 24 Vdc gear motor, 500 W power and up to 250 Nm torque.

It opens up completely (90°) in just 1.8" (Signo3), 3" (Signo4), 6" (Signo6).

Models with a 230 Vac or 110 Vac power supply.

Even more sophisticated and well-developed control unit:

The same for all models, it automatically recognises and memorises the Signo model on which it is installed thereby eliminating the first installation procedure.

Signals that the power supply is correct when started and that the control unit is functioning correctly.

Automatic diagnostics during operation, with differentiated visual signals according to the type of fault.

Intelligent: the manoeuvre will invert automatically if the bar comes into contact with an obstacle.
The control unit automatically corrects any eventual lack of balance linked to variations in the climate or poor installation.

Safe: the innovative control unit utilises a revolutionary management system of the force, speed, acceleration and deceleration that can be **programmed at 6 levels**, at the beginning and at the end of the manoeuvre.
Programming is intuitive and automatic with the Nice Encoder technology: simply push a button and Signo will comprehend the limit switch limits.

Large openings: a master/slave selection automatically synchronises two opposing barriers enabling the automation of transit points up to 8 and 12 m.

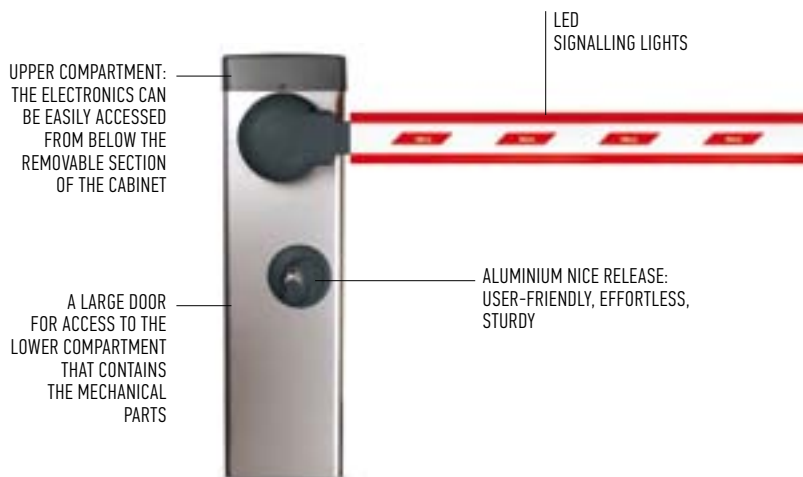
Convenient: separate compartments for electronics and mechanics provide the user with easy access without damages to internal parts.

Exclusive functions:

- the barrier will close immediately after the vehicle has passed through;
- it has two types of traffic-light type signals;
- there is an automatic safety test at the beginning of each manoeuvre;
- constant resistance STOP input for connecting the latest generation of sensitive edges;
- there is a manoeuvre counter and it is possible to programme the maintenance alarm threshold.

Intensive use for long periods of time:

Ideal for automating private, public or industrial car-parks which are subjected to the frequent passage of vehicles during the day.



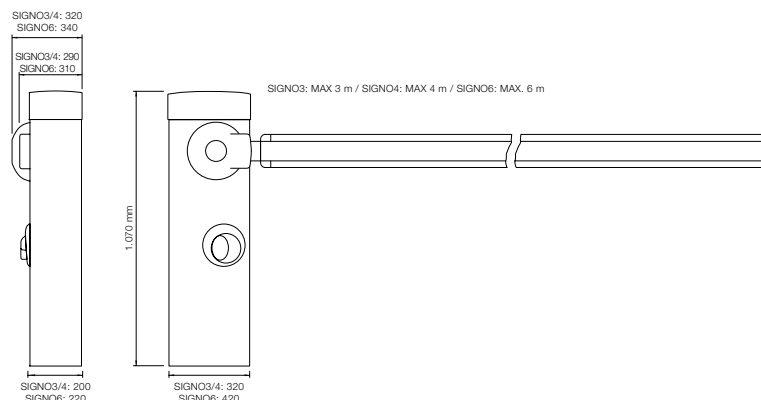
IRREVERSIBLE 230 Vac, 24 Vdc MOTOR, WITH ANCHORAGE BASE INCLUDED:

CODE	DESCRIPTION
SIGN03	FOR BARS UP TO 3 m, WITH GALVANISED STEEL PAINTED CASE
SIGN03I	FOR BARS UP TO 3 m, WITH SATIN STAINLESS STEEL CASE
SIGN04	FOR BARS UP TO 4 m, WITH GALVANISED STEEL PAINTED CASE
SIGN04I	FOR BARS UP TO 4 m, WITH SATIN STAINLESS STEEL CASE
SIGN06	FOR BARS UP TO 6 m, WITH GALVANISED STEEL PAINTED CASE
SIGN06I	FOR BARS UP TO 6 m, WITH SATIN STAINLESS STEEL CASE

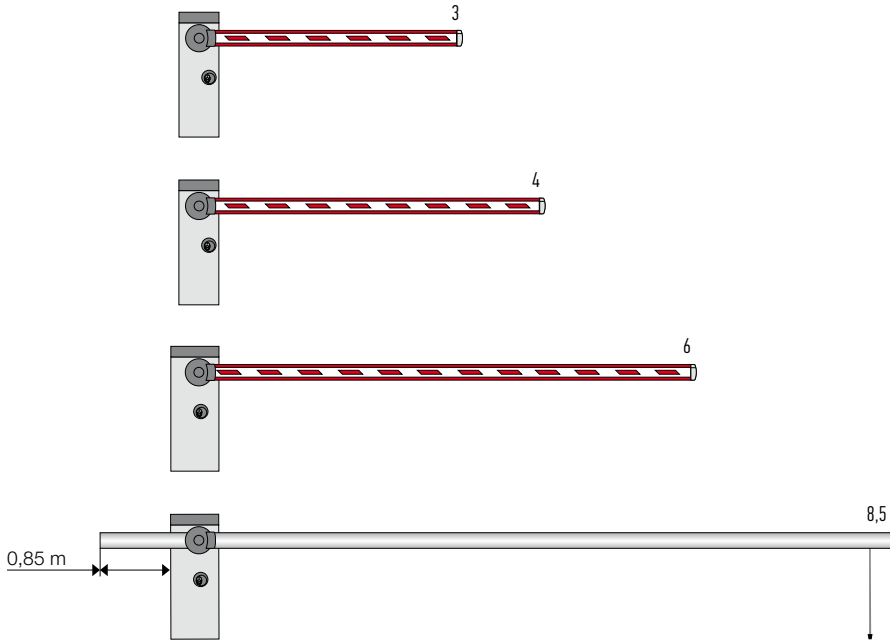
TECHNICAL SPECIFICATIONS

CODE	SIGN03 - SIGN03I	SIGN04 - SIGN04I	SIGN06 - SIGN06I
ELECTRICAL DATA			
POWER SUPPLY (Vac 50/60 Hz)	230		
ABSORPTION (A)	1.1	1.3	1.3
POWER (W)	300	300	500
PERFORMANCE DATA			
MIN.=MAX. OPENING TIME (S)	1.8÷4	3÷6	6÷10
TORQUE (Nm)	130	200	250
WORK CYCLE (CYCLES/HOUR)	600	400	250
DIMENSIONAL AND GENERAL DATA			
PROTECTION LEVEL (IP)	44		
WORKING TEMP. (°C MIN/MAX)	-20 ÷ +50		
DIMENSIONS (mm)	320x200x1070 h		420x220x1070 h
WEIGHT (kg)	50		58

DIMENSIONS



UTILISATION LIMITS



SIGN03 / SIGN03I up to 3 m
FULLY ACCESSORIED BAR WITHOUT RACK
AND MOBILE STANDS, WITH LIMITS TO SPEED.

SIGN04 / SIGN04I up to 4 m
FULLY ACCESSORIED BAR UP TO 3.75 m.

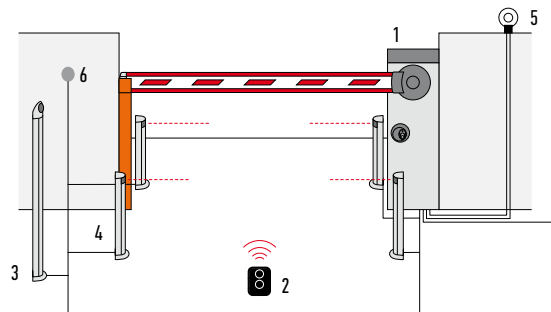
SIGN06 / SIGN06I up to 6 m
BAR WITH COMPLETE SET OF ACCESSORIES
WITH LIMITS TO SPEED.

SIGN06 / SIGN06I up to 8.5 m
WITH WA24 (BAR) WITHOUT ACCESSORIES,
EQUIPPED WITH MOBILE STAND,
WITH LIMITS TO SPEED.

Bar lenght (m)

Tubular aluminium bars don't need the use of accessories (only WA11).

INSTALLATION DIAGRAM



1. SIGNO
2. TRANSMITTER
3. KEY-OPERATED SELECTOR ON POST
4. PHOTOCELLS MOUNTED ON POSTS
5. FLASHING LIGHT
6. DIGITAL OR KEY SWITCHES.

ACCESSORIES SIGNO

ACCESSORIES FOR SIGNO3 / SIGNO3I



SIA3
ALUMINIUM BAR, PAINTED
WHITE 36X73X3250 mm.
PC/PACK 1



WA25
PIVOTING CONNECTION
FOR RECTANGULAR BARS
UP TO 4 m.
PC/PACK 1



WA2
8 m PACK OF RED
SHOCKPROOF RUBBER STRIP
WITH CAPS TO CLOSE
SIA3 BAR.
PC/PACK 1



SIA1
ANCHORAGE BASE
WITH CLAMPS.
PC/PACK 1

ACCESSORIES FOR SIGNO4 / SIGNO4I



WA1
ALUMINIUM BAR, PAINTED
WHITE 36X73X4250 mm.
PC/PACK 1



WA25
PIVOTING CONNECTION
FOR RECTANGULAR BARS
UP TO 4 m.
PC/PACK 1



WA2
8 m PACK OF RED
SHOCKPROOF RUBBER
STRIP WITH CAPS
TO CLOSE WA1 BAR.
PC/PACK 1



WA13
ALUMINIUM RACK (2 m)
FOR WA1, WA21, WA22 BARS.
PC/PACK 1



WA14
JOINT FOR RODS WA1
(FROM 1950 mm
TO 2400 mm).
PC/PACK 1



WA3
TUBULAR ALUMINIUM BAR,
PAINTED WHITE
Ø 70X4250 mm, SUITABLE
WHERE THERE ARE STRONG
WINDS. ONLY WITH WA11.
PC/PACK 1



WA4
CONNECTION
FOR THE WA3 BAR.
PC/PACK 1



SIA1
ANCHORAGE BASE
WITH CLAMPS.
PC/PACK 1

ACCESSORIES FOR SIGNO6 / SIGNO6I



WA21
ALUMINIUM BAR, PAINTED
WHITE 36X94X6250 mm.
PC/PACK 1



WA22
MODULAR BAR, PLUS JOINT
PAINTED WHITE, 2 SECTIONS
36X94X3125 mm.
PC/PACK 2



WA6
PACK 12 m OF RED
SHOCKPROOF RUBBER STRIP
WITH CAPS TO CLOSE
THE BARS WA21, WA22.
PC/PACK 1



WA24
TUBULAR TELESCOPIC
BAR IN WHITE PAINTED
ALUMINIUM, MAX. LENGTH
8.5 m, COMPLETE WITH
MOBILE SUPPORT WA12,
COUNTERWEIGHT AND
CONNECTOR. 6 METERS
OVERALL LENGTH FOR
TRANSPORTATION.
See draft page 107.
PC/PACK 1



WA7
TUBULAR ALUMINIUM BAR,
PAINTED WHITE
Ø 90X6250 mm SUITABLE
WHERE THERE ARE STRONG
WINDS, ONLY WITH WA11.
PC/PACK 1



WA13
ALUMINIUM RACK (2 m)
FOR WA1, WA21, WA22 BARS.
PC/PACK 1



SIA2
ANCHORAGE BASE
WITH CLAMPS.
PC/PACK 1



WA8
CONNECTION
FOR THE WA7 BAR.
PC/PACK 1

COMMON ACCESSORIES FOR SIGNO SERIES



SIA20
SPARE CONTROL UNIT.



PS224
24 Vdc BUFFER BATTERY.
PC/PACK 1



WA9
PACK OF 6 FLASHING
SIGNALS, WIRED FOR WA1,
WA21, WA22 BARS.
PC/PACK 6



WA10
RED ADHESIVE
REFLECTOR STRIPS.
PC/PACK 24



WA11
ADJUSTABLE STAND
FOR BARS.
PC/PACK 1



WA12
MOBILE STAND FOR BARS
- NEW FULLY REINFORCED
VERSION.
PC/PACK 1



PO
SUPPORT BRACKET
FOR PHOTOCELLS MOF
AND MOFB.
PC/PACK 4

WIL

24V

For private, public and industrial car parks.

Electromechanical barrier gate, 24 Vdc, with adjustable speed and anti-crushing safety feature. Intensive use.

Four versions:

up to 4 m (WIL4, WIL4I),

up to 6 m (WIL6, WIL6I).

Galvanised steel, painted case or AISI 304 (WIL4I, WIL6I).

Incorporated control unit, can be removed, making wiring and maintenance easier.

Easy to install: the bar can be assembled on either the right or left hand side indifferently.

Easy to balance:

linear adjustment of the spring.

The system will operate during a blackout by means of internally fitted, rechargeable batteries.

The limit switches for slowdown during both opening and closing can be adjusted both mechanically and electronically.

Speed can be electronically adjusted:

WIL4, 3.5 second minimum opening time;

WIL6, 5 second opening time.

Anti-crush safety feature

on opening and closing.

Painted aluminium bar profile:

easy to assemble the signalling lights and pneumatic edge.

LED signalling lights:

highly efficient and long-lasting.

Protected simple key-operated release.



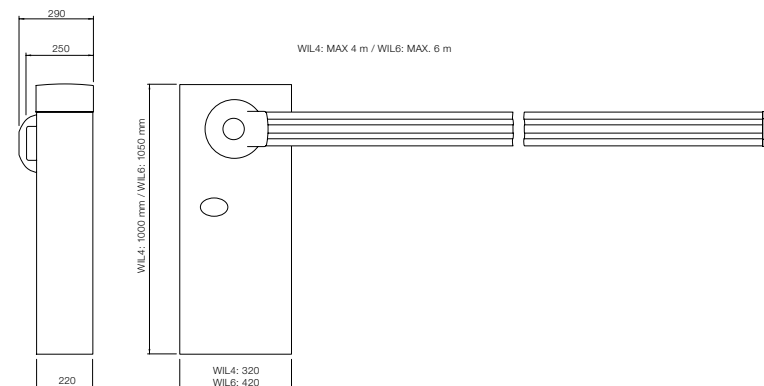
IRREVERSIBLE 230 Vac, 24 Vdc MOTOR, WITH ANCHORAGE BASE INCLUDED:

CODE	DESCRIPTION
WIL4	FOR BARS UP TO 4 m, WITH GALVANISED STEEL PAINTED CASE
WIL4I	FOR BARS UP TO 4 m, WITH SATIN STAINLESS STEEL CASE
WIL6	FOR BARS UP TO 6 m, WITH GALVANISED STEEL PAINTED CASE
WIL6I	FOR BARS UP TO 6 m, WITH SATIN STAINLESS STEEL CASE

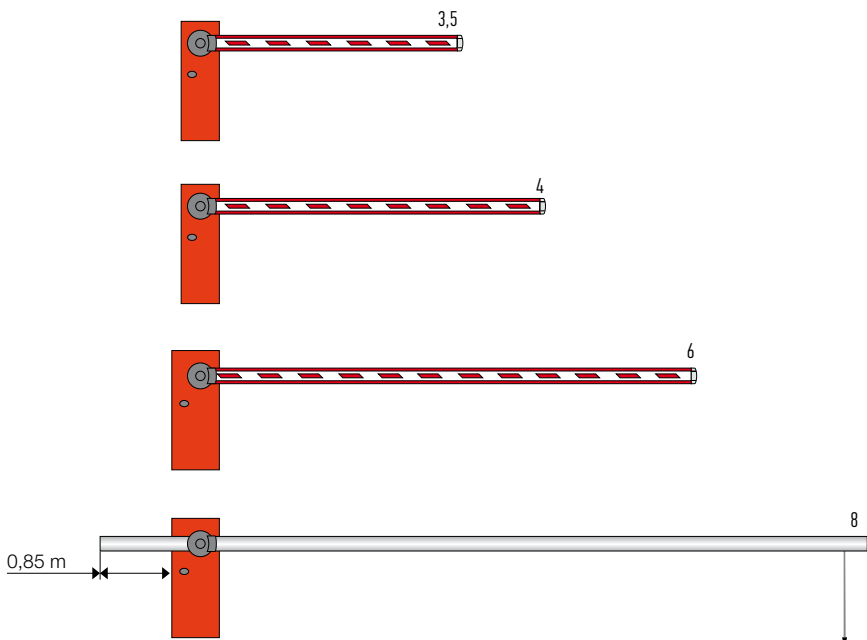
TECHNICAL SPECIFICATIONS

CODE	WIL4 - WIL4I	WIL6 - WIL6I
ELECTRICAL DATA		
POWER SUPPLY (Vac 50/60 Hz)	230	
ABSORPTION (A)	1.1	0.6
POWER (W)	300	360
PERFORMANCE DATA		
MINIMUM OPENING TIME (S)	3.5	5
TORQUE (Nm)	140	200
WORK CYCLE (%)	80	
DIMENSIONAL AND GENERAL DATA		
PROTECTION LEVEL (IP)	54	
WORKING TEMP. (°C MIN/MAX)	-20 ÷ +50	
DIMENSIONS (mm)	320x220x1000 h	420x220x1050 h
WEIGHT (kg)	46	54

DIMENSIONS



UTILISATION LIMITS



WIL4 / WIL4I up to 3.5 m
FULLY ACCESSORIED BAR
WITHOUT SPEED LIMIT.

WIL4 / WIL4I up to 4 m
FULLY ACCESSORIED BAR WITH SPEED LIMIT
AND A WA13 RACK MAX LENGHT OF 2 m
or
4 m RACK LENGHT WITHOUT SHOCKPROOF
RUBBER STRIP WA2.

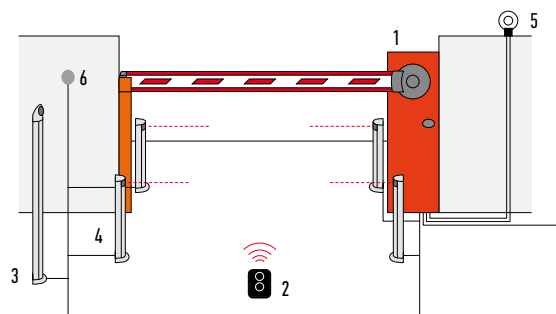
WIL6 / WIL6I up to 6 m
FULLY ACCESSORIED BAR WITH SPEED LIMIT
AND A WA13 RACK MAX LENGHT OF 4 m
or
WA13 RACK LENGHT 6 m,
WITHOUT SHOCKPROOF RUBBER STRIP WA2.

WIL6 / WIL6I up to 8 m
WITH WA24 (BAR WITHOUT ACCESSORIES),
WITH NO LIMITS TO SPEED.

Bar lenght (m)

Tubular aluminium bars don't need the use of accessories (only WA11).

INSTALLATION DIAGRAM



1. WIL
2. TRANSMITTER
3. SELECTOR KEY-OPERATED ON POST
4. PHOTOCELLS MOUNTED ON POSTS
5. FLASHING LIGHT
6. DIGITAL OR KEY SWITCHES.

ACCESSORIES WIL

ACCESSORIES FOR WIL4 / WIL4I



WA1
ALUMINIUM BAR, PAINTED
WHITE 36X73X4250 mm.
PC/PACK 1



WA25
PIVOTING CONNECTION
FOR RECTANGULAR BARS
UP TO 4 m.
PC/PACK 1



WA2
8 m PACK OF RED
SHOCKPROOF RUBBER STRIP
WITH CAPS TO CLOSE
WA1 BAR.
PC/PACK 1



WA14
JOINT FOR RODS WA1
(FROM 1950 mm
TO 2400 mm).
PC/PACK 1



WA3
TUBULAR ALUMINIUM BAR,
PAINTED WHITE
Ø 70X4250 mm, SUITABLE
WHERE THERE ARE STRONG
WINDS ONLY WITH WA11.
PC/PACK 1



WA4
CONNECTION
FOR THE WA3 BAR.
PC/PACK 1



WA15
ANCHORAGE BASE
WITH CLAMPS.
PC/PACK 1

ACCESSORIES FOR WIL6 / WIL6I



WA21
ALUMINIUM BAR,
PAINTED WHITE
36X94X6250 mm.
PC/PACK 1



WA22
MODULAR BAR, PLUS JOINT
PAINTED WHITE, 2 SECTIONS
36X94X3125 mm.
PC/PACK 2



WA6
PACK 12 m OF RED,
SHOCKPROOF, RUBBER STRIP
WITH CAPS TO CLOSE
THE BARS WA21, WA22.
PC/PACK 1



WA24
TUBULAR TELESCOPIC BAR IN
WHITE PAINTED ALUMINIUM,
MAX. LENGTH 8 m, COMPLETE
WITH MOBILE SUPPORT WA12,
COUNTERWEIGHT
AND CONNECTOR.
6 m OVERALL LENGTH
FOR TRANSPORTATION.
See draft page 111.
PC/PACK 1



WA7
TUBULAR ALUMINIUM BAR,
PAINTED WHITE
Ø 90X6250 mm SUITABLE
WHERE THERE ARE STRONG
WINDS, ONLY WITH WA11.
PC/PACK 1



WA8
CONNECTION
FOR THE WA7 BAR.
PC/PACK 1



WA16
ANCHORAGE BASE
WITH CLAMPS.
PC/PACK 1

COMMON ACCESSORIES FOR WIL SERIES



WA20
SPARE CONTROL UNIT.



CARICA
PLUG-IN CARD
FOR BATTERY CHARGER.
PC/PACK 1



B12-B
12 V, 6 Ah BATTERIES.
PC/PACK 1



WA9
PACK OF FLASHING SIGNALS,
WIRED FOR WA1, WA21, WA22
BARS.
PC/PACK 6



WA10
RED ADHESIVE
REFLECTOR STRIPS.
PC/PACK 24



WA13
ALUMINIUM RACK (2 m)
FOR WA1, WA21, WA22 BARS.
PC/PACK 1



WA11
ADJUSTABLE STAND
FOR BARS.
PC/PACK 1



WA12
MOBILE STAND FOR BARS
- *NEW FULLY REINFORCED
VERSION.*
PC/PACK 1



PO
SUPPORT BRACKET
FOR PHOTOCELLS
MOF AND MOFB.
PC/PACK 4